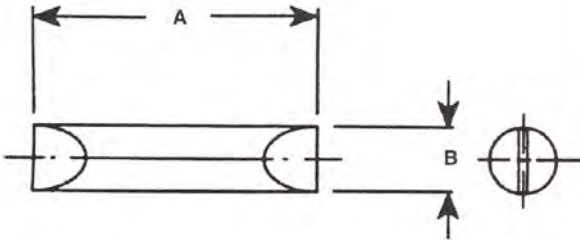


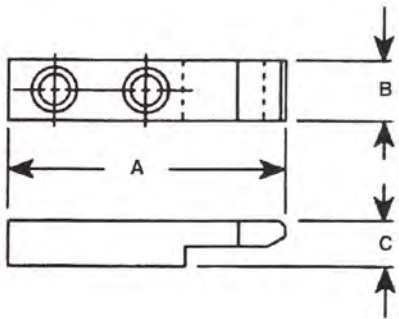
TORIN

COILING POINTS



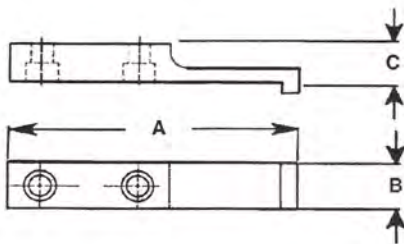
STANDARD

| SIZE | A | B | |
|------------|---------|-------|--|
| W-100-100A | 13/16 | 1/8 | |
| W-10-10A | 1-1/8 | 3/16 | |
| W-11-11A | 1-3/4 | 3/8 | |
| W-115-115A | 2-1/8 | 1/2 | |
| W-12-12A | 2-11/16 | 5/8 | |
| W-125 | 3-1/2 | 3/4 | |
| W-125S | 3" | 1" | |
| W-13 | 4" | 1" | |
| W-23 | 3-3/4 | 1" | |
| W-24 | 4-1/4 | 1-1/2 | |



TORSION

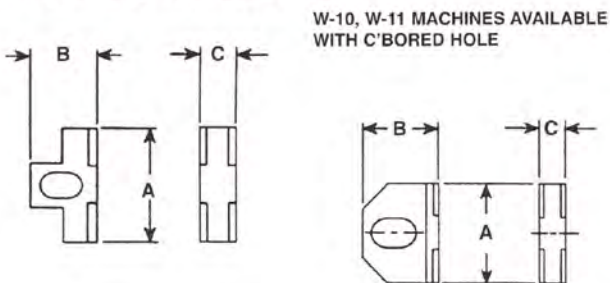
| SIZE | A | B | C |
|--------|--------|-------|-------|
| W-100 | 11/16 | 1/4 | 3/16 |
| W-100A | 13/16 | 1/4 | 3/16 |
| W-10 | 1-3/16 | 1/4 | 1/4 |
| W-10A | 1-5/64 | 1/4 | 1/4 |
| W-11 | 2" | 1/2 | 3/8 |
| W-11A | 2-1/4 | 1/2 | 3/8 |
| W-115 | 2-7/16 | 5/8 | 15/32 |
| W-12 | 4-1/8 | 3/4 | 5/8 |
| W-12A | 3-1/2 | 3/4 | 5/8 |
| W-125 | 4-1/2 | 1" | 11/16 |
| W-125S | 4-1/2 | 1" | 11/16 |
| W-13 | 4-3/4 | 1" | 1" |
| W-13A | 4-3/8 | 1" | 3/4 |
| W-23 | 5-1/4 | 1-1/4 | 7/8 |
| W-24 | 8-1/2 | 1-1/2 | 1" |



5TH AXIS

| SIZE | A | B | C |
|---------|---------|-----|-------|
| 11 CNC | 2-1/4 | 1/2 | 3/8 |
| 115 CNC | 2-11/16 | 5/8 | 15/32 |
| 12 CNC | 4-1/2 | 3/4 | 5/8 |

BLOCK GUIDES

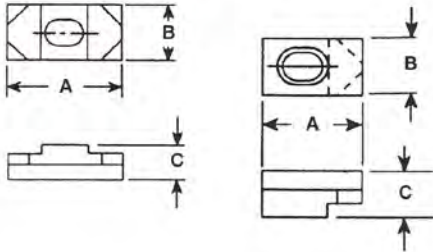


STANDARD

| SIZE | A | B | C |
|------------|--------|-------|-------|
| W-10-10A | 1/2 | 13/32 | 1/8 |
| W-11-11A | 1-1/8 | 5/8 | 5/16 |
| W-115-115A | 1-7/16 | 13/16 | 3/8 |
| W-12-12A | 1-3/4 | 7/8 | 7/16 |
| W-125 | 2-1/2 | 1-1/4 | 5/8 |
| W-125S | 2-1/2 | 1-1/4 | 3/4 |
| W-13-13A | 3-1/8 | 1-5/8 | 1 |
| W-23 | 2-7/8 | 1-1/2 | 1 |
| W-24 | 4-3/4 | 2 | 1-1/4 |

TORIN

BLOCK GUIDES

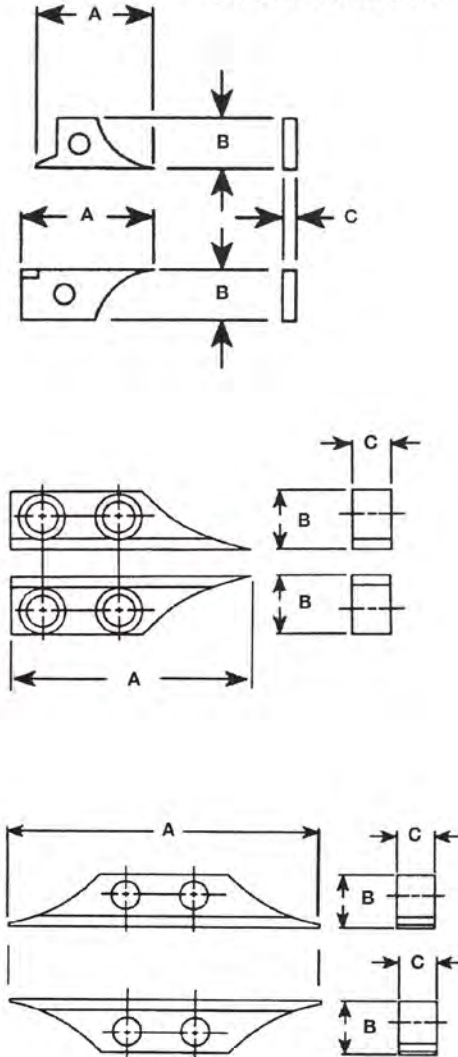


TORSION

| SIZE | A | B | C |
|----------|---------|--------|-------|
| W-10-10A | 9/16 | 3/8 | 5/16 |
| W-11-11A | 15/16 | 9/16 | 7/16 |
| W-115 | 1-1/4 | 3/4 | 19/32 |
| W-12-12A | 1-11/16 | 7/8 | 9/16 |
| W-125 | 2-1/8 | 1-1/8 | 3/4 |
| W-125S | 2-1/8 | 1-1/8 | 3/4 |
| W-13 | 3 | 1-5/8 | 1 |
| W-23 | 2-5/8 | 1-7/16 | 1 |
| W-24 | 4 | 1-7/16 | 2 |

GUIDES

W-10, W-11 W-115, W-12 MACHINES
AVAILABLE IN STEEL OR CARBIDE



FINAL - PRELIMINARY - TORSION

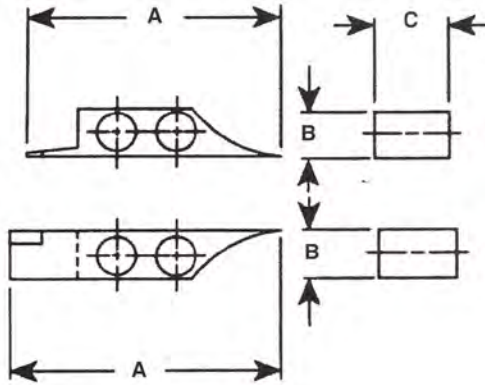
| SIZE | A | B | C | DESCRIPTION |
|------------|--------------------------------|--------|--------|---------------|
| W-100-100A | 31/32 | 3/8 | 3/32 | FINAL |
| W-100-100A | 7/8 | 3/8 | 3/32 | FINAL |
| W-100-100A | 31/32 | 3/8 | 3/16 | TORSION FINAL |
| W-100-100A | 3/4 | 3/8 | 3/16 | TORSION FINAL |
| W-100A | 1 | 3/8 | 5/16 | PRELIMINARY |
| W-100 | 1 | 3/8 | 1/4 | PRELIMINARY |
| W-10-10A | 1-31/64 | 3/8 | 5/16 | PRELIMINARY |
| W-10-10A | 1-31/64 | 3/8 | 35/64 | FINAL |
| W-10-10A | 1-31/64 | 3/8 | 23/64 | TORSION FINAL |
| W-10-10A | 1-31/64 | 3/8 | 29/64 | TORSION FINAL |
| W-11-11A | 2-3/4 | 11/16 | 7/16 | FINAL |
| W-11-11A | 2-3/4 | 11/16 | 7/32 | TORSION FINAL |
| W-11-11A | 2-3/4 | 11/16 | 21/64 | TORSION FINAL |
| W-11 11A | 2-3/4 | 11/16 | 1/2 | PRELIMINARY |
| W-115-115A | 3-1/4 | 15/16 | 11/16 | FINAL |
| W-115-115A | 3-1/4 | 15/16 | 11/16 | PRELIMINARY |
| W-115-115A | 3-1/4 | 15/16 | 9/32 | TORSION FINAL |
| W-115-115A | 3-1/4 | 15/16 | 31/64 | TORSION FINAL |
| W-12-12A | 5-23/32 | 1-1/4 | 13/16 | FINAL |
| W-12-12A | 3-5/8 | 1-5/16 | 1-7/16 | PRELIMINARY |
| W-12-12A | 5-23/32 | 1-1/4 | 3/8 | TORSION FINAL |
| W-12-12A | 5-2332 | 1-1/4 | 5/8 | TORSION FINAL |
| W-125 | 7 | 1-3/8 | 15/16 | FINAL |
| W-125 | 7 | 1-3/8 | 1 | PRELIMINARY |
| W-125 | 7 | 1-3/8 | 15/32 | TORSION FINAL |
| W-125 | 7 | 1-3/8 | 47/64 | TORSION FINAL |
| W-125S | 6-1/2 | 1-1/2 | 2-1/16 | PRELIMINARY |
| W-125S | 8-1/8 | 1-3/8 | 1-1/4 | FINAL |
| W-125S | 8-1/8 | 1-3/8 | 5/8 | TORSION FINAL |
| W-125S | 8-1/8 | 1-3/8 | 31/32 | TORSION FINAL |
| W-13-23 | MFG. TO CUSTOMER SPECIFICATION | | | |
| W-24 | MFG. TO CUSTOMER SPECIFICATION | | | |

INTERMEDIATE

| SIZE | A | B | C |
|------------|--------------------------------|-------|--------|
| W-11-11A | 4 | 11/16 | 1/2 |
| W-115-115A | 6 | 15/16 | 11/16 |
| W-12-12A | 6-15/16 | 1-1/4 | 13/16 |
| W-125 | 8-3/4 | 1-3/8 | 1 |
| W-125S | 10-1/2 | 1-3/8 | 1-7/16 |
| W-23 | MFG. TO CUSTOMER SPECIFICATION | | |
| W-24 | MFG. TO CUSTOMER SPECIFICATION | | |

TORIN

GUIDES



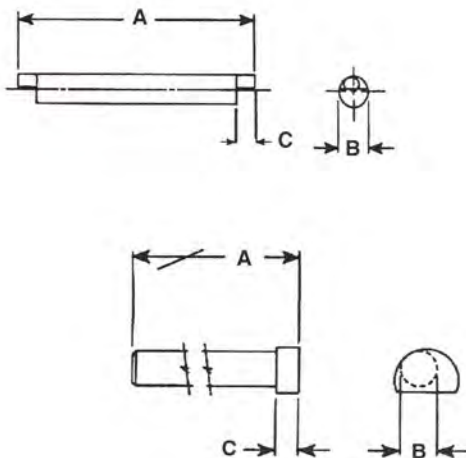
MAKES SET UP AND ALIGNMENT EASY, DOES THE WORK OF BLOCK GUIDES AND CAP AT THE SAME TIME. SPECIFY HAND.

EXTENDED FINAL GUIDE

| SIZE | A | B | C |
|----------|---------|-------|-------|
| W-10-10A | 1-31/32 | 3/8 | 35/64 |
| W-10-10A | 2-1/32 | 3/8 | 35/64 |
| W-11-11A | 3-3/4 | 11/16 | 7/16 |
| W-11-11A | 3-7/8 | 11/16 | 7/16 |

ARBORS

SPECIFY: MACHINE SIZE, TYPE OF ARBOR, COILING DIA. AND R.H. OR L.H.



DOUBLE END OR OVERSIZE

| SIZE | A | B | C |
|------------|-------|-------|-------|
| W-100 | 2 | 1/8 | 3/32 |
| W-100A | 1-1/4 | 1/8 | 3/32 |
| W-10-10A | 2-1/4 | 3/16 | 1/8 |
| W-11-11A | 3-1/4 | 7/16 | 1/4 |
| W-115-115A | 4-1/2 | 5/8 | 5/16 |
| W-12-12A | 5-1/2 | 3/4 | 3/8 |
| W-125-125A | 6-3/4 | 1-1/8 | 5/8 |
| W-125S | 6-3/4 | 1-1/8 | 5/8 |
| W-13-13A | 7-1/2 | 1-1/4 | 7/8 |
| W-23 | 7-1/2 | 1-1/4 | 7/8 |
| W-24 | 8-1/2 | 1-3/4 | 1 |
| W-24 | 8-1/2 | 2-1/4 | 1-1/4 |

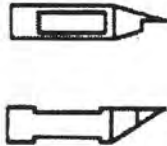
TORSION

| SIZE | A | B | C |
|------------|--------|----------|---------|
| W-100-100A | 9/32 | 1/8 | SPECIFY |
| W-10 | 1/2 | 3/16 | SPECIFY |
| W-10A | 5/8 | 3/16 | SPECIFY |
| W-11 | 11/16 | 1/4 | SPECIFY |
| W-11A | 1-1/8 | 1/4 | SPECIFY |
| W-115-115A | 1-1/2 | 3/8 | SPECIFY |
| W-12 | 1-5/16 | 7/16 | SPECIFY |
| W-12A | 1-3/4 | 7/16 | SPECIFY |
| W-125 | 1-3/8 | 5/8 | SPECIFY |
| W-13 | 1-7/8 | 7/8 | SPECIFY |
| W-24 | 2-1/8 | 1-1/2SQ. | SPECIFY |

TORIN

PENCIL ARBORS

IDEAL FOR LARGE WIRE AND SMALL INDEX APPLICATIONS.
AVAILABLE FOR ALL MACHINES.



TORSION

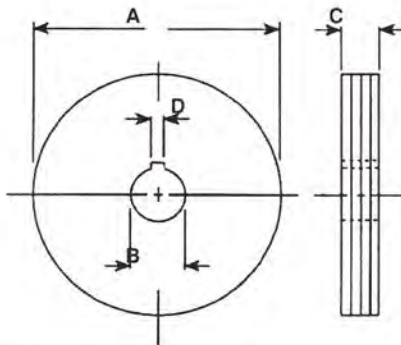
SPECIFY: R.H. OR L.H. AND TIP SIZE

STANDARD

SPECIFY: R.H. OR L.H. OR POINT ONLY

FEED ROLLS

SUPPLIED IN STEEL OR CARBIDE UP TO W-12 SIZE.
BEYOND THIS, STEEL IS RECOMMENDED.



SPECIFY: NUMBER OF GROOVES AND SIZE AND
SHAPE OF MATERIAL BEING PROCESSED.

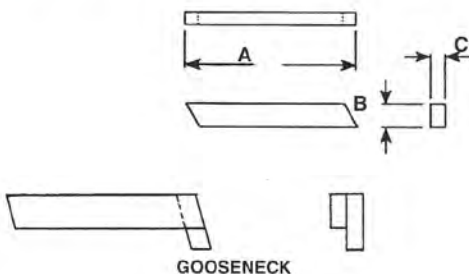
STANDARD

| SIZE | A | B | C | D |
|------------|--------|--------------------------------|-------|-----------|
| W-100 | 1.000 | .375 | .625 | 3/32x3/64 |
| W-100A | 1.000 | .375 | .562 | 3/32x3/64 |
| W-10-10A | 2.000 | .500 | .375 | 1/8x1/16 |
| W-11-11A | 3.500 | .750 | .500 | 3/16x3/32 |
| W-115-115A | 4.500 | 1.250 | .687 | 5/16x5/32 |
| W-12 | 6.000 | 1.250 | .813 | 5/16x5/32 |
| W-12A | 6.000 | 1.812 | .813 | 1/2x1/4 |
| W-125 | 8.000 | 1.500 | 1.000 | 3/8x3/16 |
| W-125A | 8.000 | 2.000 | 1.000 | 5/8x5/16 |
| W-125S | 12.000 | 1.750 | 1.437 | 5/8x5/16 |
| W-13-13A | 12.000 | 2.250 | 1.750 | 1/2x1/4 |
| W-23 | 7.000 | 1.750 | 1.375 | 3/8x3/16 |
| W-24 | 8.000 | MFG. TO CUSTOMER SPECIFICATION | | |
| W-420 | 6.000 | 2.000 | 1.438 | 5/8x5/16 |
| W-425 | 9.937 | 2.500 | 2.000 | 5/8x5/16 |

LOW PROFILE AVAILABLE

CUT OFF TOOLS

AVAILABLE IN STEEL OR CARBIDE



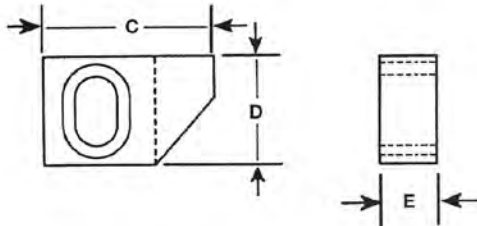
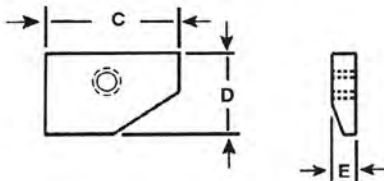
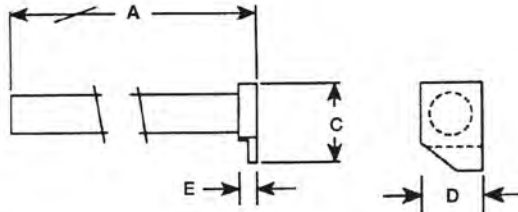
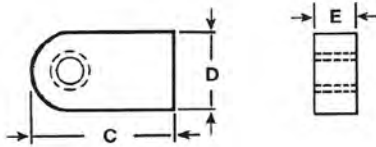
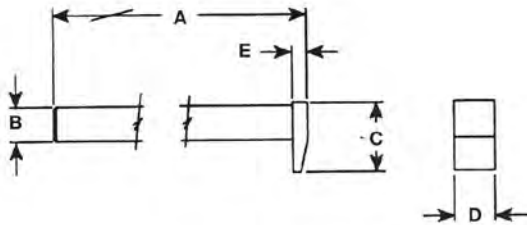
STANDARD

| SIZE | A | B | C |
|------------|-------|------|------|
| W-100 | 7/8 | 1/8 | 1/8 |
| W-100-100A | 1-3/4 | 1/8 | 1/8 |
| W-100-100A | 1-3/4 | 1/8 | 1/16 |
| W-10-10A | 1-3/4 | 3/16 | 3/32 |
| W-11-11A | 2-1/2 | 5/16 | 3/16 |
| W-115-115A | 2-3/4 | 7/16 | 7/16 |
| W-12-12A | 4 | 1/2 | 3/8 |
| W-125 | 6 | 5/8 | 1/2 |
| W-125S | 7 | 7/8 | 5/8 |

GOOSENECK STYLE AVAILABLE FOR W-10 & LARGER MACHINES

TORIN

PITCH TOOLS



STANDARD

| SIZE | A | B | C | D | E |
|------------|---------------------------------|------|--------|-------|------|
| W-100-100A | 4-1/4 | 1/8 | 1/4 | 1/8 | 3/64 |
| W-100-100A | 4-1/4 | 1/8 | 1/4 | 3/16 | 3/64 |
| W-10-10A | 5-3/8 | 3/16 | 7/16 | 3/16 | 3/32 |
| W-11-11A | 7-1/16 | 7/16 | 27/32 | 7/16 | 3/16 |
| W-10-W-11 | MFG. TO CUSTOMER SPECIFICATION. | | | | |
| W-115-115A | | | 1-5/32 | 13/16 | 7/32 |
| W-12-12A | | | 1-5/16 | 3/4 | 1/4 |
| W-125 | | | 1-7/8 | 1 | 3/8 |
| W13-13A | | | 2-1/4 | 1 | 3/8 |

TORSION

| SIZE | A | B | C | D | E |
|------------|--------|------|--------|-------|------|
| W-100-100A | 4-1/2 | 1/8 | 1/4 | 1/4 | 3/32 |
| W-10-10A | 5 | 3/16 | 9/16 | 17/32 | 1/8 |
| W-11-11A | 7-1/16 | 7/16 | 29/32 | 5/8 | 3/16 |
| W-11-11A | | | 29/32 | 5/8 | 3/16 |
| W-115-115A | | | 1-5/16 | 13/16 | 7/32 |
| W-12-12A | | | 1-5/8 | 1 | 5/16 |
| W-125 | | | 2-1/16 | 1-3/4 | 3/8 |
| W-13-13A | | | 2-7/8 | 2 | 3/8 |

ADJUSTABLE TORSION

| SIZE | C | D | E |
|------------|--------|-------|------|
| W-10-10A | 9/16 | 1/2 | 9/64 |
| W-11-11A | 29/32 | 5/8 | 1/4 |
| W-115-115A | 1-5/16 | 13/16 | 5/16 |
| W-12-12A | 1-5/8 | 1 | 5/16 |

NOTE

TOOLING FOR ALL TORIN CNC MACHINES IS ALSO READILY AVAILABLE.